



BT7807

HEAVY DUTY TWIN FLOOR / CEILING MOUNT FOR Ø50MM POLES INSTALLATION GUIDE & PARTS LIST

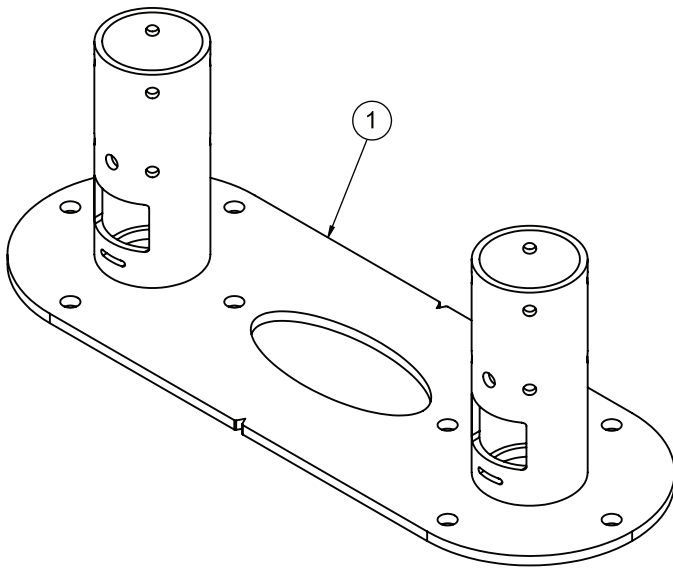
This Pack Contains 1 Mount

PLEASE KEEP THIS FOR FUTURE REFERENCE



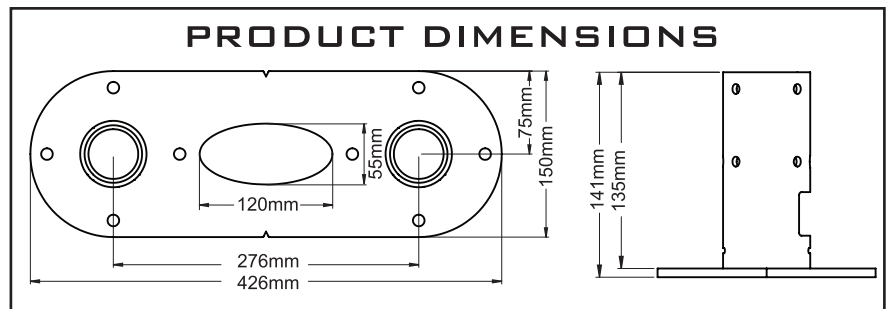
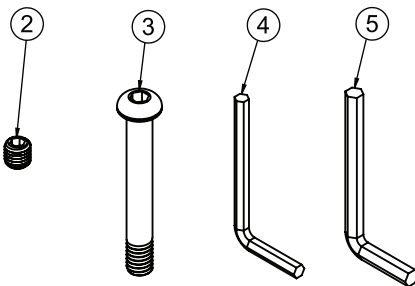
FEATURES

- Designed to be used with Ø50mm (2") poles (sold separately)
- **Maximum load:** 200kg
- **Elevation / Drop:** 146mm
- **Plate Dimensions (without covers):** 426mm x 150mm
- Can be used to mount 2 x Ø50mm (2") poles to ceiling or to the floor
- Heavy duty 6mm steel
- Quick installation, eliminates the need to measure the distance between pole centres



PARTS LIST

REF	PART NAME	QTY
1	TWIN POLE CEILING / FLOOR MOUNT	1
2	M8 x 8mm GRUB SCREW	16
3	M8 x 60mm HEX SOCKET SCREW	2
4	4mm HEX KEY	1
5	5mm HEX KEY	1



⚠ IMPORTANT ⚠

Not suitable for wall mounting. Fixing screws are not included with this product. B-Tech highly recommends this product to be installed by a suitably qualified person. The installer must be satisfied that the types of fixings used are suitable for the type of ceiling or floor the product is to be mounted to. Care must be taken as to where this product is located, as some ceilings / floors are not suitable for installation. When drilling holes, knowledge must be obtained to avoid contact with any electrical cables and / or gas and water pipes contained within the ceiling / floor.

B-TECH AUDIO VIDEO MOUNTS

HEAD OFFICE

B-Tech International Limited

Bennett House, Long March, Daventry, Northants., NN11 4NR, UK

Email: info@btechavmounts.com

©2015 B-Tech International Limited. All rights reserved. B-Tech Audio Video Mounts is a division of B-Tech International Limited. B-Tech, Better By Design and Mountlogic are registered trademarks of B-Tech International Limited. All other brands and product names are trademarks of their respective owners. Photographs are for illustrative purposes only. E&OE. B-Tech International Ltd, its distributors and dealers are not responsible for damage or injury caused by improper installation, improper use, modifications, installations over the specified weight capacity and/or failure to observe these safety instructions. In such cases, any warranty will expire. It is recommended that this product should only be installed by a qualified professional / installer. B-Tech does not claim any liability for any difficulties that may arise from the interpretation of information contained in these instructions. Failure to mount this product correctly may lead to serious injury and/or death. Please check carefully to make sure there are no missing or defective parts - defective parts must never be used. In the event of missing and/or defective parts, or technical questions, please contact an authorised dealer.

www.btechavmounts.com

AMA-BT7807-V1-PROBX-0315-BTECH MADE IN THE UK